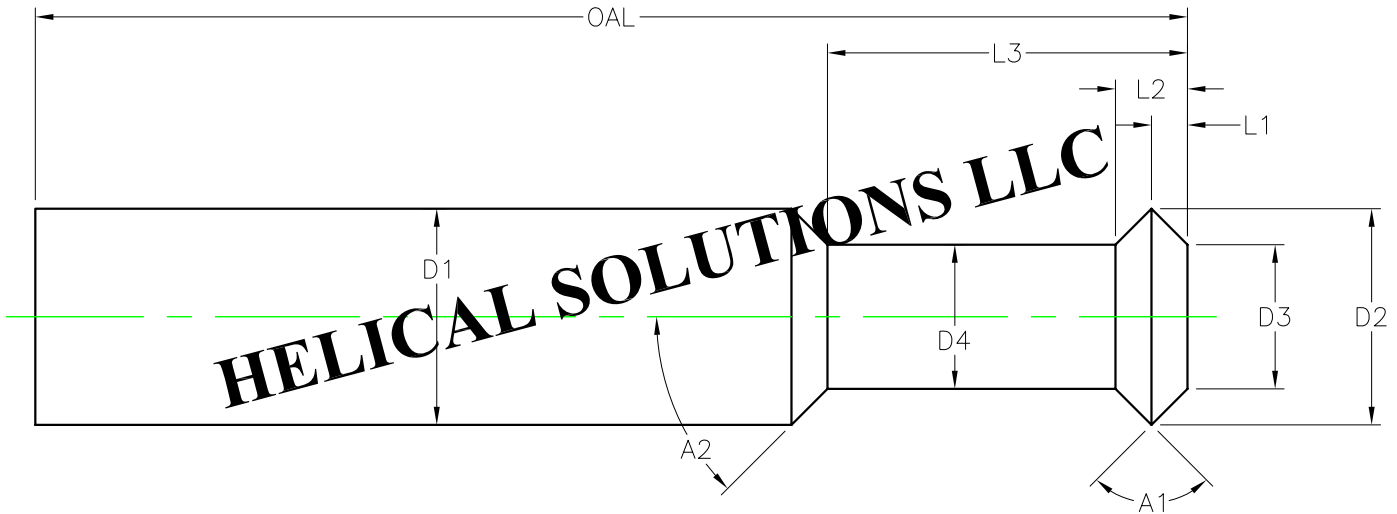


Double Angle Shank Quote Template



29 Sanford Drive Gorham, Maine 04038
Phone: (207) 854-5581 Fax: (207) 854-5968



Center Cutting
Solid Carbide

Required Data: (Refer to sketch above)

of Flutes: _____
D1: _____
D2: _____
L1: _____
L3: _____
A2: _____
QTY: _____

D3: _____
D4: _____
L2: _____
A1: _____
OAL: _____

Price Ea: _____
Delivery: _____
P.O. #: _____

USO. All Tolerances
.XX = ± 0.01
.XXX = ± 0.005
.XXXX = ± 0.0005
Fractions = $\pm 1/64$
Angular = $0^{\circ} 30'$
Shank ϕ $-0.0001/-0.0004$

Customer's Name: _____
Address: _____
Phone/Fax: _____ / _____
E-mail: _____